

# P3L Ellipsoidal Light (Clamp)

90W LED/ 19° / 36°



## ORDERING GUIDE

**FLXP3L** -  -  -  - **CLP** - **PSV** -

### Field Angle

**19** 19°  
**36** 36°

### Mode

**CLR** All Modes  
**EZ** All EZ Modes  
**RGB** RGB Mode Only  
**CCT** Tunable CCT Mode Only  
**3200** Fixed 3200K  
**5600** Fixed 5600K

### Finish

**WH** White  
**BK** Black

### Mount

**CLP** Clamp Mount

### Power Supply & Control

**PSV** Power Supply

### Plug/Connection

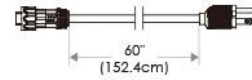
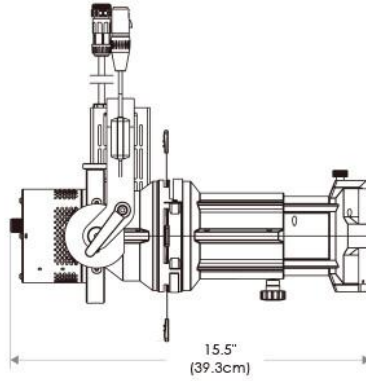
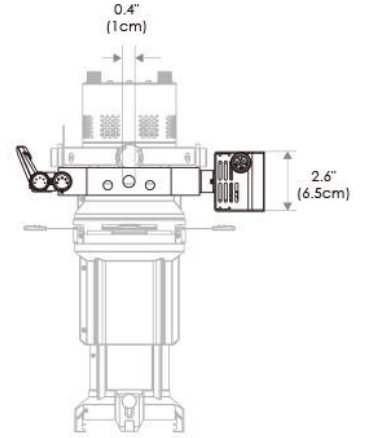
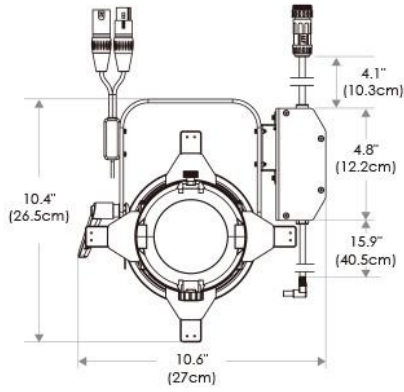
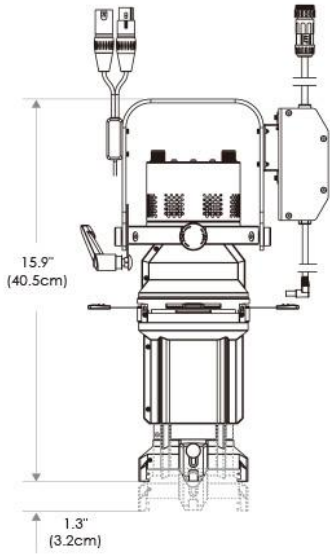
**US** US 120V  
**EU** EU 220V

## SPECIFICATIONS

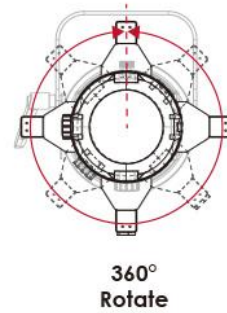
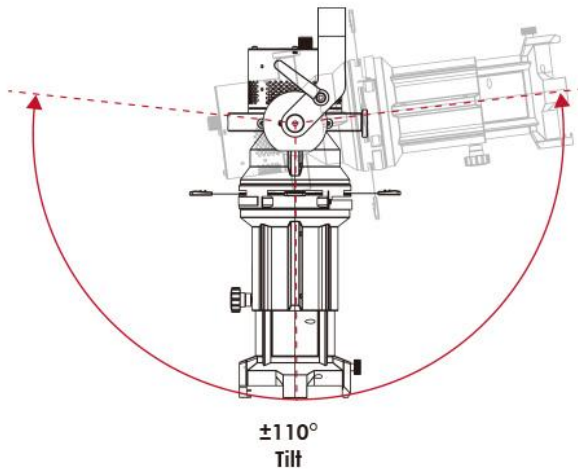
Beam Angle	19° / 36°
CRI / TLCI	95/90 typical (in CCT Mode of 2800K-6500K)
Dimming	100% - 0% flicker free
Power Draw	90W max
AC Input	100 - 240V AC, 50 - 60Hz
Remote Control	DMX 512
Cooling	Fan Cooled
Acoustic Noise	17 dBA
Operating Temp.	32 - 104°F (0 - 40°C)
Weight (Fixture + Power Supply)	8.1lb / 3.7kg
Gobo Size	Diameter: M Size (66mm)
	Max Image: 48mm
	Max Thickness: 1mm

- Cine-Grade Light Quality
- Point-Source LED
- DMX Controllable
- 90W Power Draw
- Carries Four Shutter Blades

**MECHANICAL FIGURES**

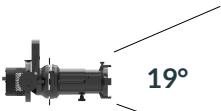


**TILT/ROTATION**

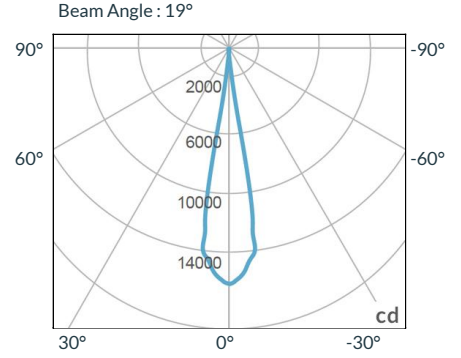


**PHOTOMETRIC DATA**

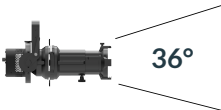
**19 Degree**



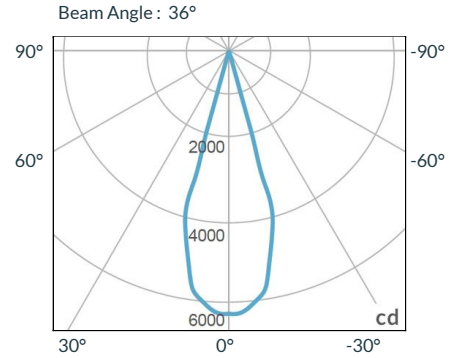
Distance		3' (~0.9 m)	10' (~3.0 m)	15' (~4.6 m)
@3200K	fc	1913	156	76
	lux	20592	1680	819
@5600K	fc	2083	170	83
	lux	22422	1830	894
Beam Diameter		Ø 0.9' (~0.3m)	Ø 3.0' (~0.9m)	Ø 4.5' (~1.4m)



**36 Degree**



Distance		3' (~0.9 m)	10' (~3.0 m)	15' (~4.6 m)
@3200K	fc	743	60	29
	lux	7998	646	313
@5600K	fc	820	67	32
	lux	8827	722	345
Beam Diameter		Ø 1.7' (~0.5m)	Ø 5.6' (~1.7m)	Ø 8.2' (~2.5m)



**MODE DESCRIPTION**

Mode Description	Available Modes
- CLR	All Modes (8 bit and 16 bit)
- EZ	All EZ Modes (8 bit) ( EZ CCT / EZ HSI / EZ RGBW / EZ RGB / EZ ICTHS / EZ ICT RGBW / EZ 3200K / EZ 5600K)
- RGB	EZ RGB (8 bit)
- CCT	EZ CCT (8 bit)
- 3200	EZ 3200K (8 bit)
- 5600	EZ 5600K (8 bit)

See Downloads portion of webpage for full DMX profiles